




Petit applique suggests a creative use of light. It is conceived for the higher part of the wall and draws a vertical sharp light effect without glaring. Both Petit applique and Minipetit step light versions have reduced dimensions and maintain the same design language within the project. Petit is an IP rated outdoor luminaire that can be used also in humid indoor ambiances, as wellness and spa.

Luminaire characteristics:	Power input: 12.5W (source wattage) Lumens: 568lm (for 3000K, 90CRI) Luminaire efficacy: Up to 45lm/W
Source:	LED Module (LM-80 tested) 2700K: 90CRI, 3000K: 90CRI, 4000K: 80CRI.
Lumen maintenance:	80% of initial lumens at 70 000 hours(L80)(LM-79)
Optics:	Accent light.
Material:	Body: Die-cast aluminum. Diffuser: Toughened glass.
Mounting:	See mounting options on page 4 and 5.
Electrical:	High efficiency dimmable remote LED driver, rated at 50 000 hours. 120V/277V. See remote options page 3.
Dimming:	Triac and ELV down to 15% or 0-10V down to 0.1%. See dimmable remote options page 3.
Finish:	White, aluminum gray or anthracite gray (RAL7022) painted finish. Double powder paint in 3 steps process: surface treatment containing ceramic nano particles (bonderite). Epoxy primer paint. Polyester powder paint with high resistance against UV rays and harsh weather conditions.
Weight:	2.84lb (1.29kg)
Warranty:	5 year limited warranty.
Ratings:	IP65, IK07.
Certification:	 cULus listed for wet location.

ORDERING INFO



PRODUCT CODE

--	--	--	--	--

For mounting options see page 5
To select remote driver see page 3

MODEL	LED	MOUNTING	VOLTAGE	FINISH
S1810 Petit wall	H 2700K, 90CRI	FW Surface mounted with fixture whip	REM Remote	01 White
	W 3000K, 90CRI	JB Surface mounted junction box		14 Aluminum gray
	N 4000K, 80CRI	J2 Surface mounted single gang box		24 Anthracite gray

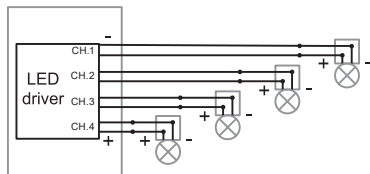
REMOTE LED DRIVER OPTIONS
(TO BE ORDERED SEPARATELY)

Watts	Voltage	Rated	Dimming protocol	Dimming range	Dimension	Max distance**	Petit S1810 12.5W*	Min-max units
<input type="checkbox"/> 4444-0350-015-120-LTE								
15	120V	Indoor	Leading and trailing edge (ELV and TRIAC)	Down to 15%	6" x 4" x 3" (152 x 102 x 76mm)	30ft(9m)		1
<input type="checkbox"/> 4450-0350-019-UNV-ED10								
19	120-277V	Indoor	0-10V ELDOLED ECODERIVE	Down to ±1%	8" x 8" x 4" (203 x 203 x 102mm)	118ft(36m)		1
<input type="checkbox"/> 4549-0350-019-UNV-ED10								
19	120-277V	Outdoor	0-10V ELDOLED ECODERIVE	Down to ±1%	14.5" x 5" x 3.5" (368 x 127 x 89mm)	118ft(36m)		1
<input type="checkbox"/> 4549-0350-019-UNV-SD10								
19	120-277V	Outdoor	0-10V ELDOLED SOLOdrive	Down to ±0.1%	14.5" x 5" x 3.5" (368 x 127 x 89mm)	118ft(36m)		1
<input type="checkbox"/> 4548-0350-022-120-LTE								
22	120V	Outdoor	Leading and trailing edge (ELV and TRIAC)	Down to ±15%	6" x 4.5" x 3" (152 x 114 x 76mm)	30ft(9m)		1
<input type="checkbox"/> 4549-0350-079-UNV-SD10¹								
79	120-277V	Outdoor	0-10V ELDOLED SOLOdrive	Down to ±0.1%	14.5" x 5" x 3.5" (368 x 127 x 89mm)	118ft(36m)		1-4ch max 1/ch
<input type="checkbox"/> 4448-0350-079-UNV-SD10¹								
79	120-277V	Indoor	0-10V ELDOLED SOLOdrive	Down to ±0.1%	10" x 8" x 4" (254 x 203 x 102mm)	118ft(36m)		1-4ch max 1/ch

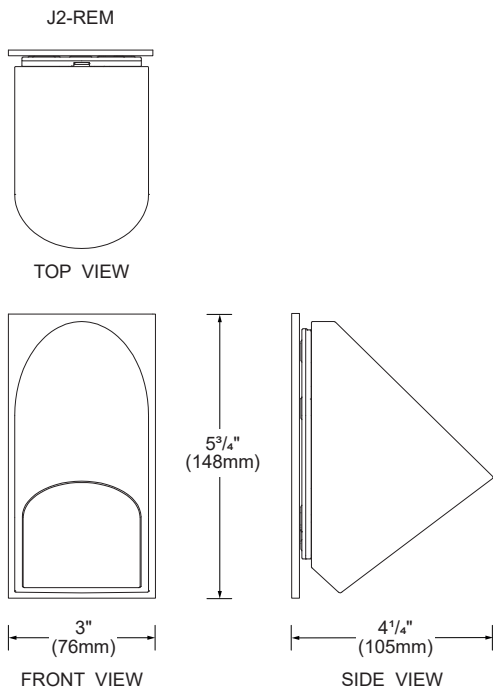
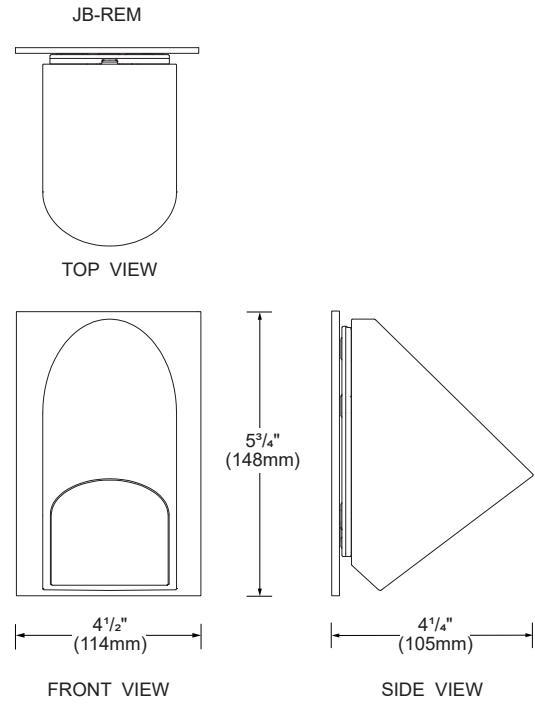
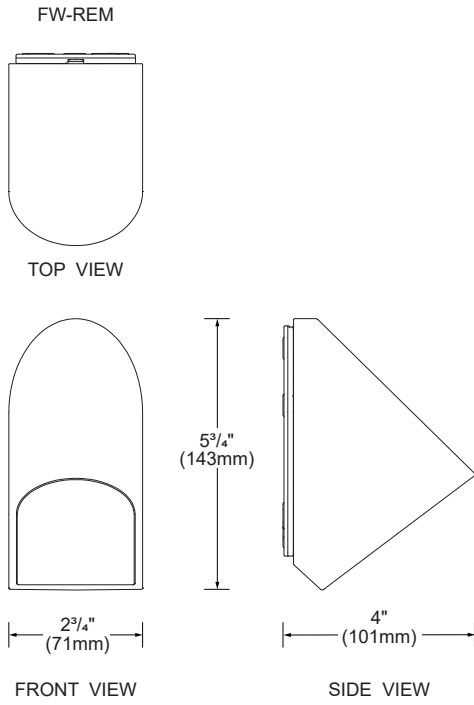
* Wattage requirement for one (1) fixture (Remote fixture only).
** Calculated for 16AWG cable. Contact factory for longer remote distance.

WIRING DIAGRAMS

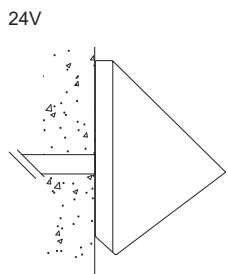
⁽¹⁾ Luminaires must be connected on separate channels (1-4).
Do not exceed the wattage and voltage range on each channel.



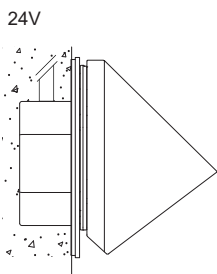
DIMENSIONS



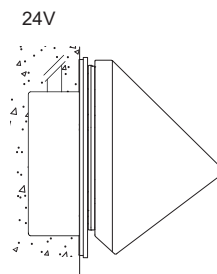
MOUNTING OPTIONS



FW-REM - Fixture whip to remote power supply. Installed directly to surface with recessed pipe, exposed cable or electrical conduit.



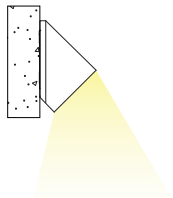
JB-REM - 4" junction box with remote power supply. Mounting adapter plate for junction box installation. Min 1½" (38mm) deep



J2-REM - 2" single gang box with remote power supply. Mounting adapter plate for vertical junction box installation. Min 1½" (48mm) deep

PHOTOMETRIC DATA

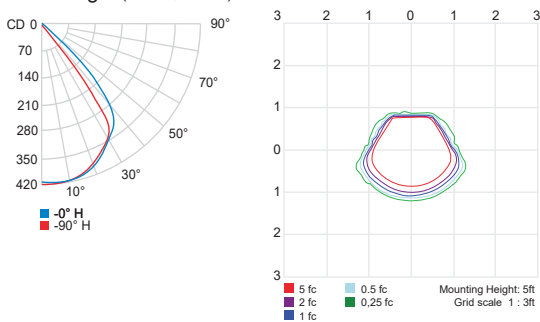
Visit sistimalux.com for complete photometric data.



CCT (K)	CRI	LOAD (W)	OPTIC	LUMENS (lm)	EFFICACY (lm / W)	MAX CANDELA (cd)	MODEL
3000K	90	12.5W*	Accent light	568	45	418	S1810W

*For products that uses a remote led driver, total system wattage will varies according to the efficacy of the remote led driver selected. For this reason, the load and efficacy values given in the table above refers to the led source only and does not include the led driver consumption. Use multiplier table for other CCT and CRI output data. Efficacy based on IESNA LM-79 test reports.

Accent light (3000K, 90CRI)



CCT options	2700K	3000K	4000K
CRI options	90CRI	90CRI	80CRI
Multiplier	0.81	1	1.19