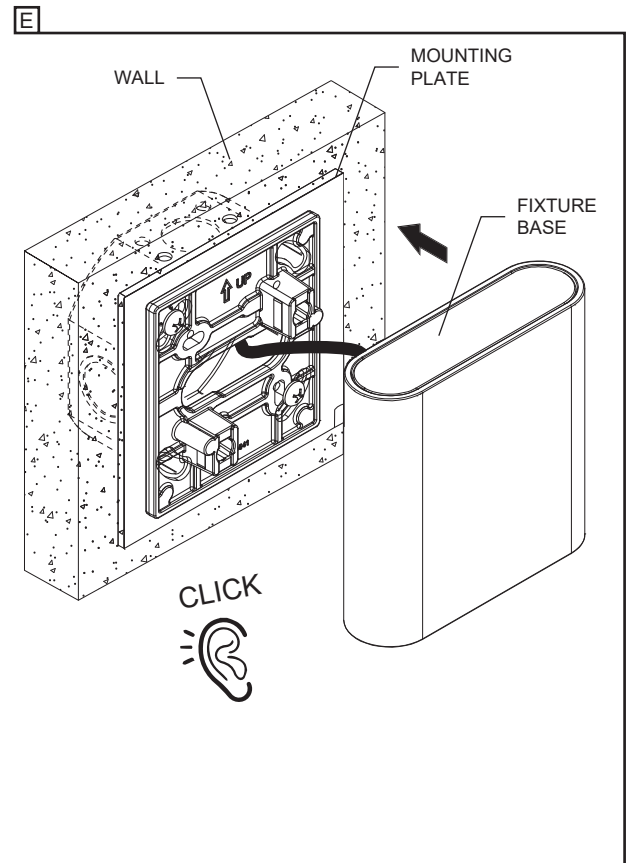
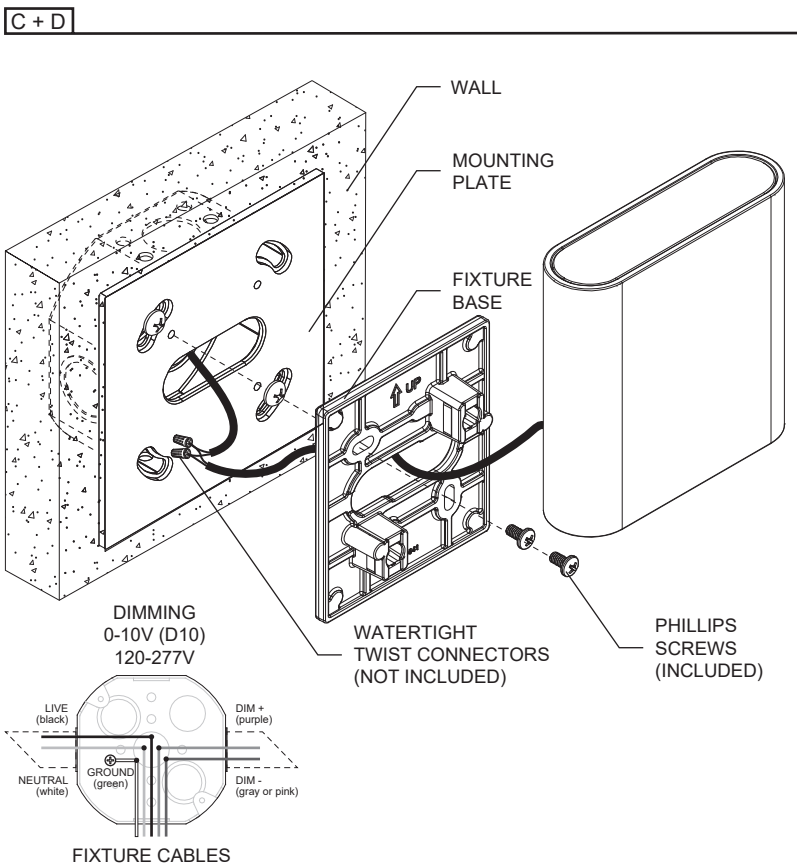
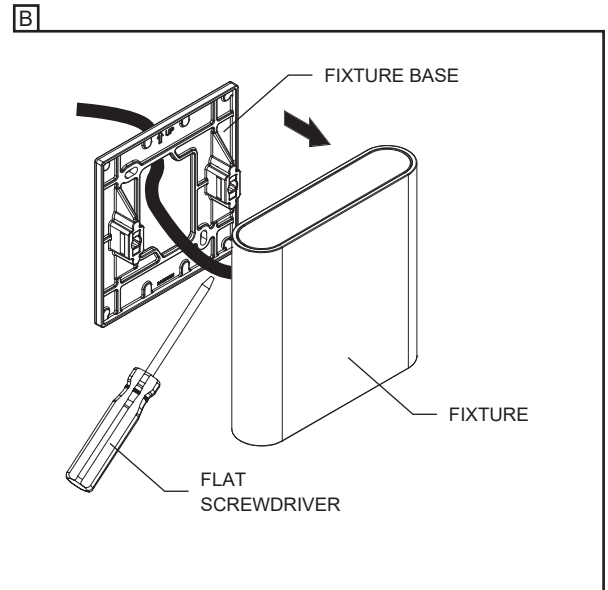
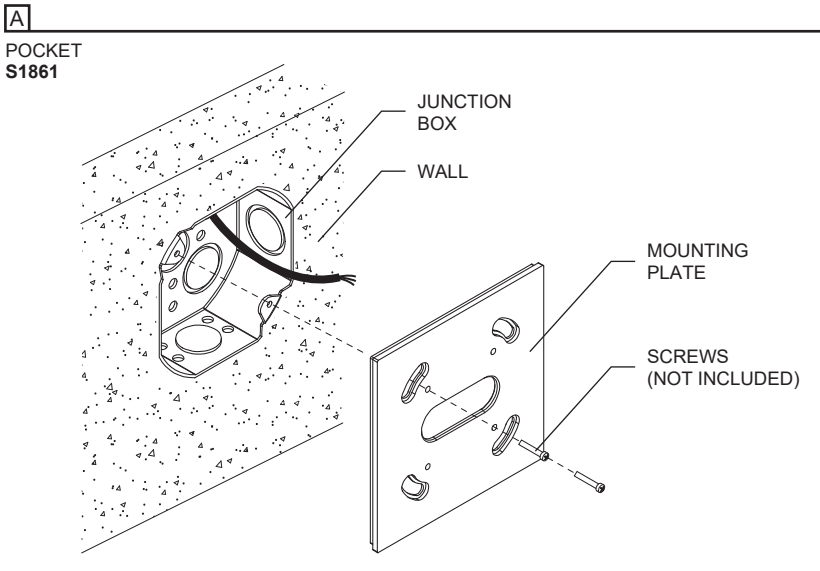


MODEL: S1861, S1871

**IMPORTANT** - READ CAREFULLY BEFORE INSTALLING FIXTURE. RETAIN THESE INSTRUCTIONS FOR FUTURE REFERENCE. THIS PRODUCT MUST BE INSTALLED IN ACCORDANCE WITH THE NATIONAL ELECTRICAL CODE AND ALL APPLICABLE LOCAL CODES, BY A PERSON FAMILIAR WITH THE CONSTRUCTION AND OPERATION OF THE PRODUCT, AND THE HAZARDS INVOLVED. PROPER GROUNDING IS REQUIRED FOR SAFETY.

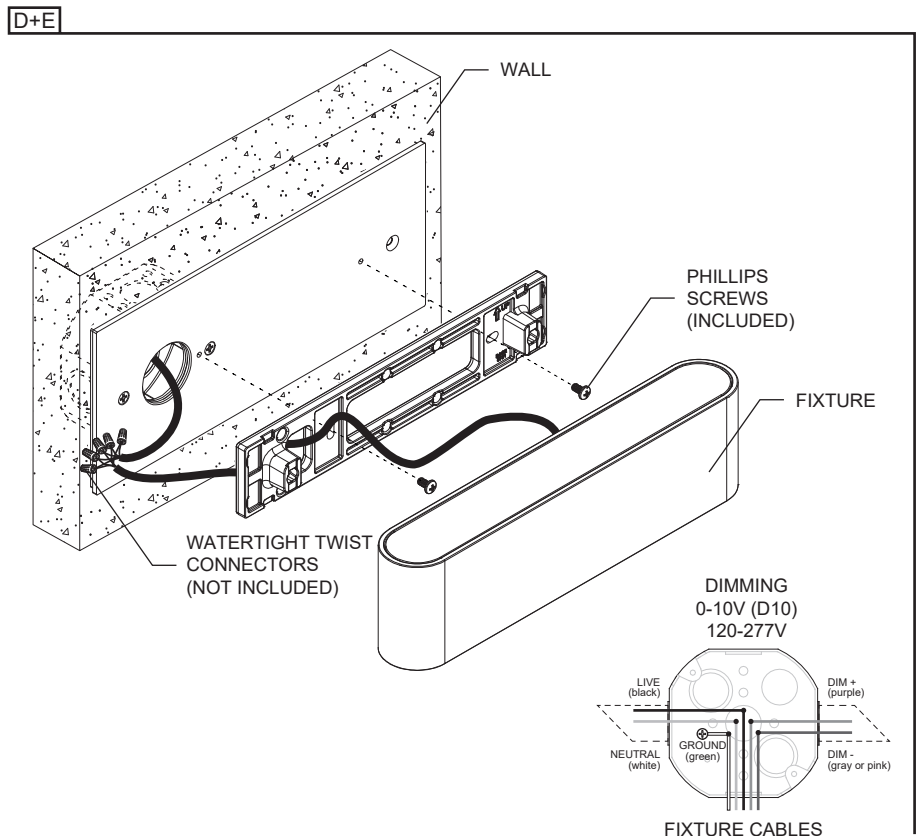
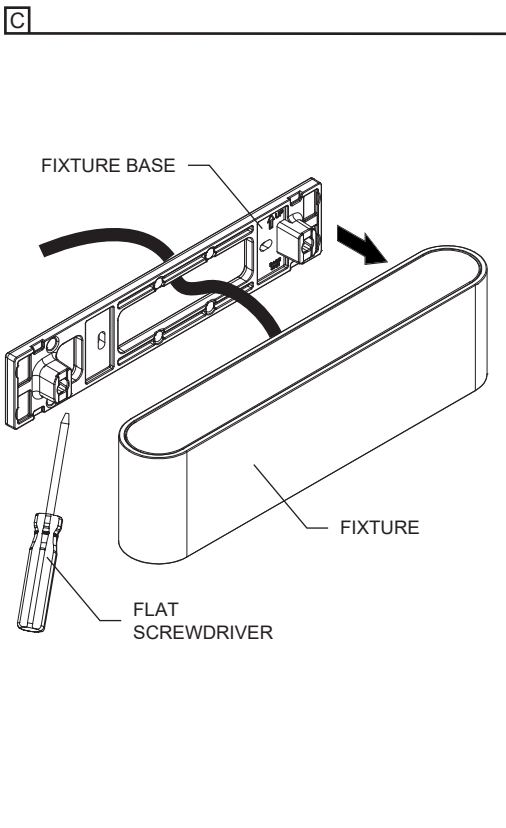
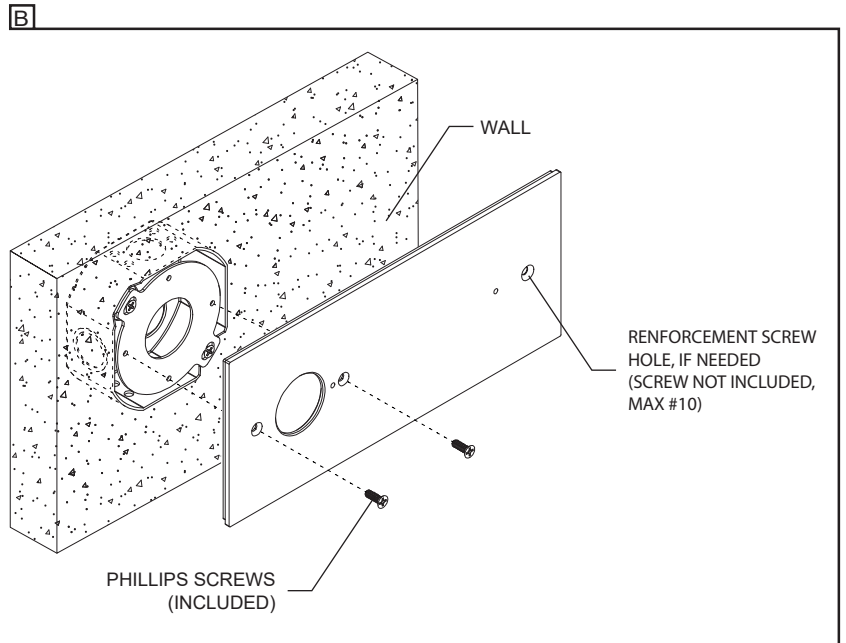
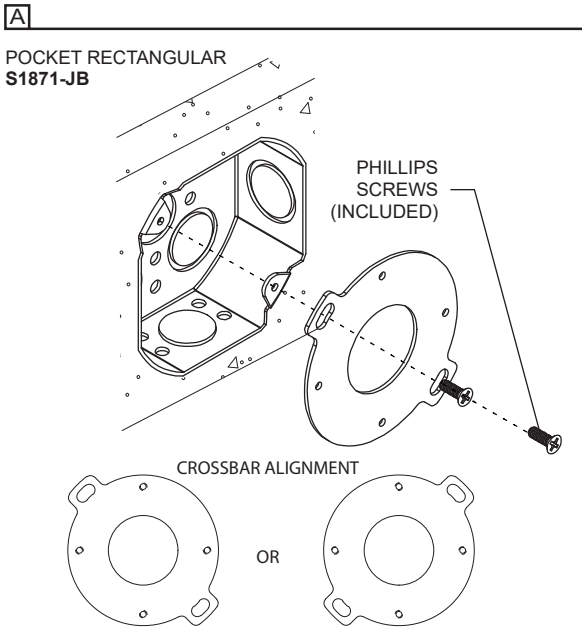
## 4" JUNCTION BOX INSTALLATION WITH INTEGRAL DRIVER (JB-UNV)

- A- INSTALL THE MOUNTING PLATE ON THE JUNCTION BOX USING APPROPRIATE (2) SCREWS #8-32 (NOT INCLUDED)
- B- UNCLIP THE BASE FROM THE FIXTURE WITH A FLAT SCREWDRIVER
- C- FASTEN THE BASE ON THE MOUNTING PLATE USING (2) PHILLIPS SCREWS (INCLUDED)
- D- MAKE WIRE CONNECTIONS (FOLLOWING POLARITY MARKINGS) USING WATERTIGHT TWIST CONNECTORS (NOT INCLUDED). ONCE CONNECTED, PUSH THE WIRES BACK INTO THE JUNCTION BOX.
- E- CLIP THE FIXTURE TO THE BASE



**4" JUNCTION BOX INSTALLATION WITH INTEGRAL DRIVER 120-277V FOR RECTANGULAR POCKET (JB-UNV)**

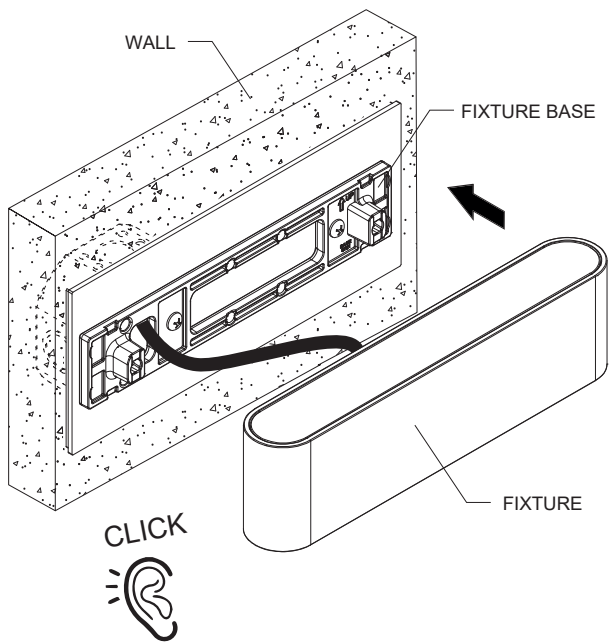
- A- FIX THE CROSSBAR TO THE JUNCTION BOX USING (2) PHILLIPS SCREWS (INCLUDED) MAKE SURE THE CROSSBAR IS PROPERLY ALIGNED
- B- INSTALL THE MOUNTING PLATE ON THE CROSSBAR USING (2) PHILIPS SCREWS (INCLUDED)
- C- UNCLIP THE BASE FROM THE FIXTURE WITH A FLAT SCREWDRIVER
- D- FIX THE BASE ON THE MOUNTING PLATE USING (2) PHILLIPS SCREWS (INCLUDED)
- E- MAKE WIRE CONNECTION (FOLLOWING POLARITY MARKING) USING WATERTIGHT TWIST CONNECTORS ONCE CONNECTED, PUSH WIRES BACK INTO THE JUNCTION BOX.



**4" JUNCTION BOX INSTALLATION WITH INTEGRAL DRIVER 120-277V FOR RECTANGULAR POCKET (JB-UNV)**

F- CLIP THE FIXTURE TO THE BASE

**F**



## 2" SINGLE GANG BOX INSTALLATION WITH INTEGRAL DRIVER 120-277V (J2-UNV)

- A- INSTALL THE MOUNTING PLATE ON THE JUNCTION BOX USING (2) PHILLIPS SCREWS #6-32 (INCLUDED)
- B- UNCLIP THE BASE FROM THE FIXTURE WITH A FLAT SCREWDRIVER
- C- FASTEN THE BASE ON THE MOUNTING PLATE USING (2) PHILLIPS SCREWS (INCLUDED)
- D- MAKE WIRE CONNECTIONS (FOLLOWING POLARITY MARKING) USING WATERTIGHT TWIST CONNECTORS (NOT INCLUDED).  
ONCE CONNECTED, PUSH WIRES BACK INTO THE JUNCTION BOX.
- E- CLIP THE FIXTURE TO THE BASE

